



Winters Performance Products, Inc.
1580 Trolley Road
York, PA 17408 USA
717-764-9844
www.wintersperformance.com

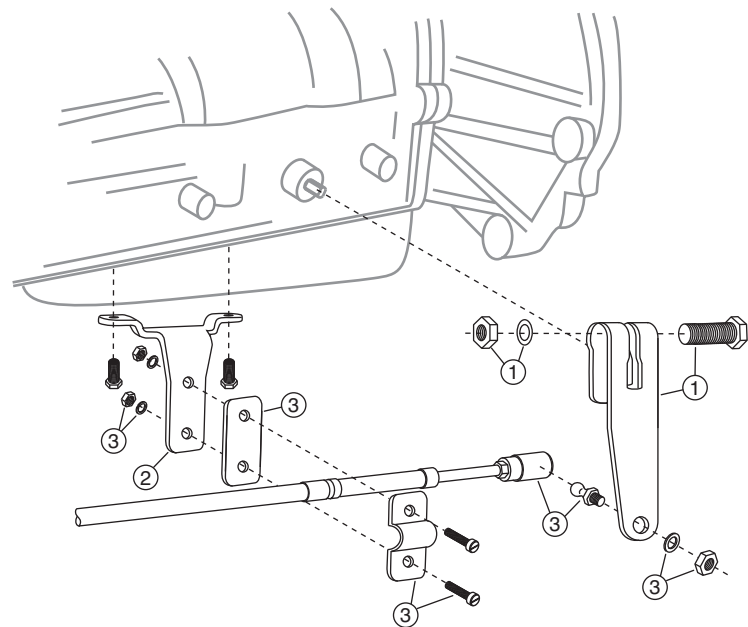


Install Kit P/N 6027

Toyota A340 & Jeep AW4 Shifter
Part No. 607-1

- A. Remove present shifting mechanism from transmission.
- B. Assemble ball joint, lockwasher, and nut, to the linkage arm, then push the linkage arm on the transmission linkage shaft until the arm is flush with the end of the shaft. By tightening screw and nut the arm will be secured in its proper position.
- C. Remove two pan bolts and install cable bracket. Ensure pan bolt length is adequate.
- D. Plan location of console in car and cable route. Keeping bends to a minimum will enhance the shift feel.
- E. Drill 5/8" diameter hole in floor for cable to exit. By inserting a drill or rod in hole and bending the sheet metal, you can obtain a hole that will allow the cable to enter and exit more smoothly. After feeding the cable through, secure console in position using screws as shown in figure 3.
- F. Using screws, clamps, lockwasher, and nuts, attach cable to bracket as illustrated.
- G. Attach quick-disconnect to ball joint on linkage arm. When console shift lever is in park position, the linkage arm should be all the way forward.
- H. Check adjustment in each gear. By loosening lock nut and screwing the quick-disconnect either in or out, corrective adjustments can be made. If additional adjustment is necessary, a similar arrangement within the console is provided.

#	Description	P/N
1	Linkage Arm	12167
2	Cable Bracket	12168
3	Hardware Kit	6062



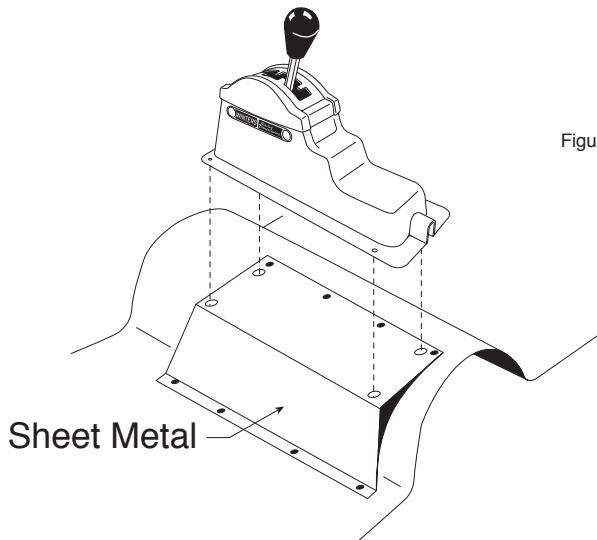
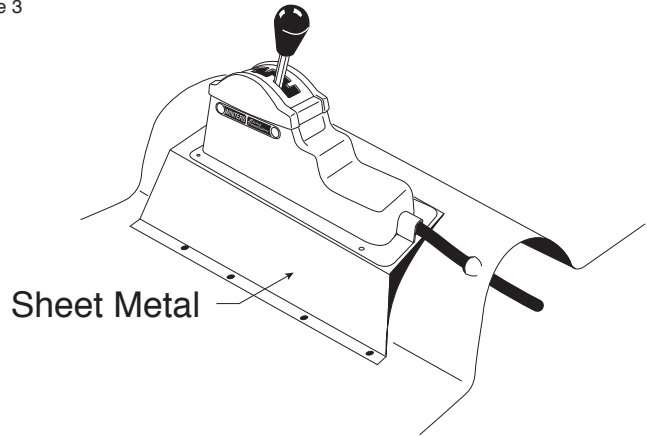


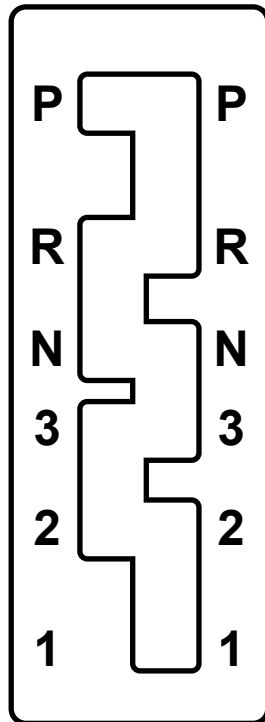
Figure 3



Illustrated above is a suggestion for tunnel-mount applications of the Winters shifter. By bending a piece of sheet metal suitable for your particular application, a flat surface will be obtained allowing your shifter to be securely fastened in the proper location. Make sure the sheet metal is of substantial gage thickness (18 or 20 ga.) or securely braced to minimize undesirable vibration.

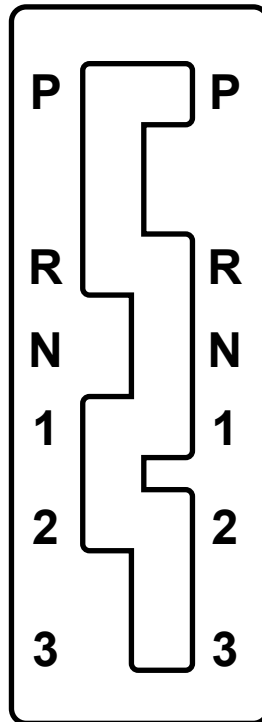
Toyota A340 & Jeep AW4 Gate Plates

Standard
Stock Pattern



P/N 12181

Rock Crawler
Reverse Pattern



P/N 12181-1